



# OPzV2-1000 (2V1000Ah)

Ritar OPzV series is a Valve Regulated Lead Acid battery that adopts immobilized GEL and Tubular Plate technology to offer high reliability and performance. The Battery is designed and manufactured according to DIN standards and with die-casting positive grid and patent formula of active material. OPzV series exceeds DIN standard values with more than 20 years floating design life at 25°C and is even more suitable for cyclic use under extreme operating conditions.

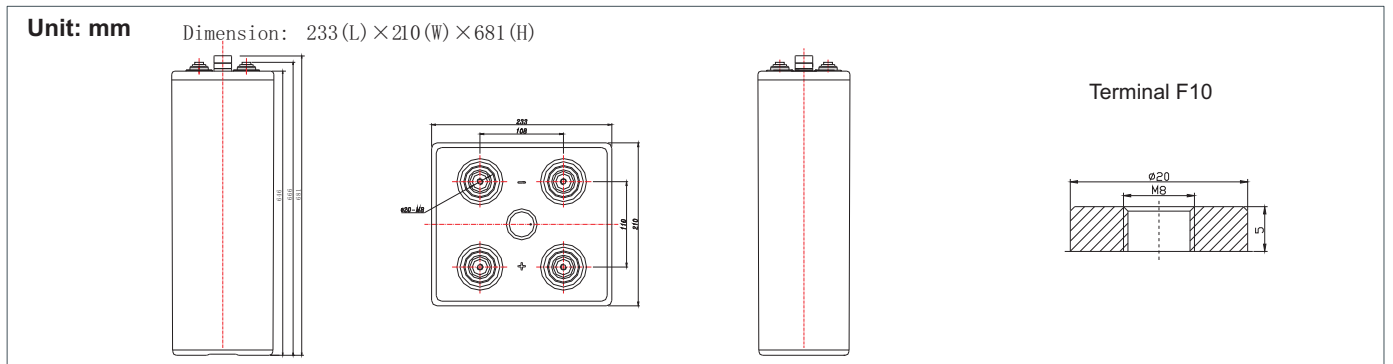


## Specification

<b>Voltage Per Unit</b>	2V(single cell)
<b>Capacity</b>	1000Ah@10hr-rate to 1.80V per cell @25°C
<b>Weight</b>	Approx. 77.0 Kg
<b>Max. Discharge Current</b>	3800 A (5 sec)
<b>Internal Resistance</b>	Approx. 0.27 mΩ
<b>Operating Temperature Range</b>	Discharge: -40°C~70°C Charge: 0°C~50°C Storage: -20°C~60°C
<b>Optimal Operating Temperature Range</b>	25°C ± 5°C
<b>Float charging Voltage</b>	2.25 to 2.3 VDC/unit Average at 25°C
<b>Maximum Charging Current</b>	200 A
<b>Cycle Service</b>	2.37 to 2.40 VDC/unit Average at 25°C
<b>Self Discharge</b>	Self-discharge ratio less than 2% per month at 25°C. Please charge batteries before using.
<b>Terminal</b>	Thread insert & Bolt (F10-M8)
<b>Container Material</b>	A.B.S. (UL94-HB), and UL94-V0 is optional



## Dimensions



### Constant Current Discharge Characteristics : A(25°C)

F.V/ Time	30min	1h	2h	3h	4h	5h	6h	8h	10h	20h
1.90	492.0	390.0	275.0	208.6	171.0	147.8	133.0	103.8	89.00	46.73
1.87	550.0	430.0	295.0	221.2	180.5	155.4	141.0	108.6	93.00	48.83
1.83	630.0	480.0	320.0	235.7	190.0	162.2	146.0	113.5	97.00	50.93
1.80	700.0	520.0	332.0	242.5	193.8	166.0	150.0	116.4	100.0	52.50
1.75	780.0	557.0	347.0	252.2	197.0	170.0	153.0	118.3	102.0	53.55
1.70	860.0	575.0	357.0	257.1	200.5	172.0	155.0	119.3	103.0	54.08
1.65	887.0	611.0	369.0	264.0	203.3	174.0	157.0	120.3	104.0	54.60
1.60	925.0	632.0	383.0	275.0	209.0	177.0	159.0	121.3	105.0	55.13

### Constant Power Discharge Characteristics : W(25°C)

F.V/ Time	30min	1h	2h	3h	4h	5h	6h	8h	10h	20h
1.90	941.7	748.7	531.6	404.0	334.7	291.0	263.0	207.6	181.4	95.23
1.87	1036	813.0	563.8	423.1	352.8	305.0	278.0	216.3	189.2	99.30
1.83	1161	886.4	600.0	445.2	369.8	317.0	287.0	224.1	195.9	102.9
1.80	1268	945.7	620.1	455.3	376.9	324.0	294.0	228.9	200.8	105.4
1.75	1376	987.9	640.2	469.3	381.9	332.0	299.0	231.8	203.7	106.9
1.70	1475	998.0	656.3	477.4	387.9	335.0	302.0	233.8	205.6	108.0
1.65	1500	1042	674.4	487.4	393.0	338.0	305.0	235.7	206.6	108.5
1.60	1519	1074	690.4	503.5	403.0	341.0	307.0	236.7	207.6	109.0

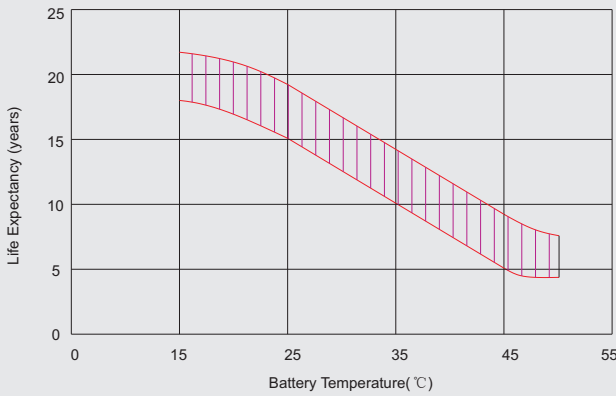
All mentioned values are average values.

# OPzV2-1000

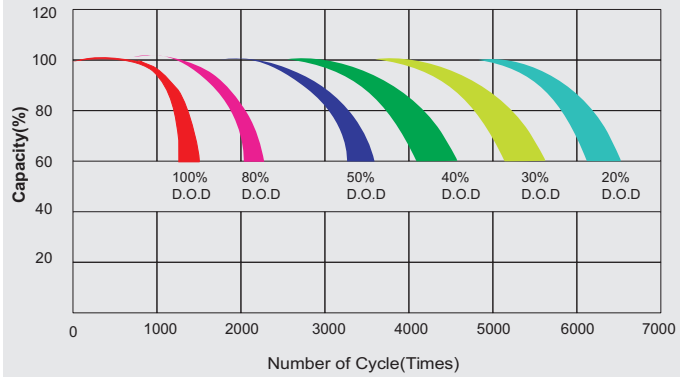
2V1000Ah



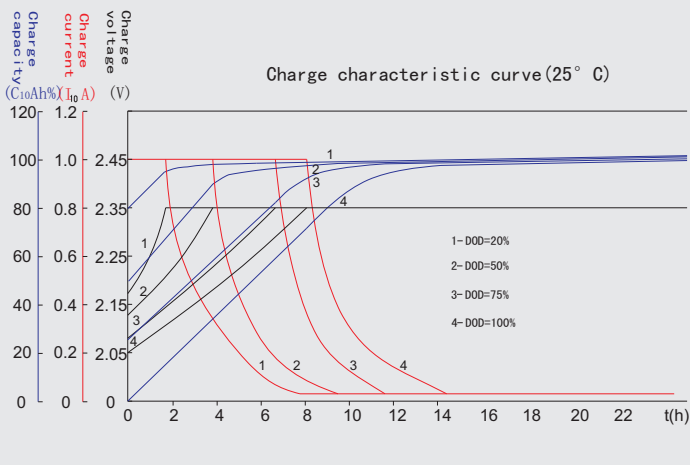
## Effect of temperature on long term float life



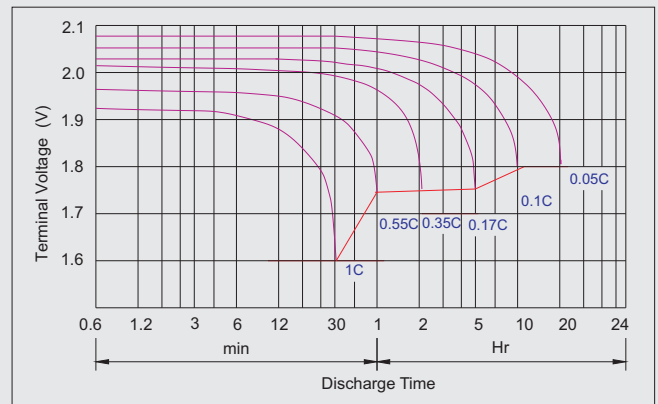
## Life characteristics of cyclic use



## Charge characteristic Curve for cyclic use



## Discharge characteristic Curve



### Long time discharge capacity for solar/wind application

Model	Capacity	C24 (Ah)	C48 (Ah)	C72 (Ah)	C100 (Ah)	C120 (Ah)	C240 (Ah)
		F.V=1.85VPC					
OPzV2-1000		1113	1250	1258	1275	1296	1318

### Capacity factors vs temperature (OPzV series)

Temperature	-30°C	-20°C	-10°C	0°C	10°C	20°C	25°C	30°C	40°C	45°C	50°C
Capacity	60%	75%	83%	89%	92%	99%	100%	103%	105%	107%	109%

### Discharge Current VS. Final Voltage

Discharge current	Final voltage (V)
$I_{dis} \leq 0.1I_{10}$	1.90
$0.1I_{10} < I_{dis} \leq I_{10}$	1.85
$I_{10} < I_{dis} \leq 4I_{10}$	1.80
$4I_{10} < I_{dis} \leq 6I_{10}$	1.75
$6I_{10} < I_{dis} \leq 10I_{10}$	1.70
$I_{dis} > 15I_{10}$	1.60

Charge the batteries at least once every one year, if they are stored at 25°C.

Charging Method:

Constant Voltage	-0.2Cx2h+2.35~2.40V, 24h, Max. Current 0.2CA
Constant Current	-0.2Cx2h+0.1CAx12h

### Maintenance & Cautions

#### Float Service:

※ Every month, recommend inspection every battery voltage.

※ Every three months, recommend equalization charge for one time.

Equalization charge method:

Discharge: 40~50% rate capacity discharge.

Charge: Max. current 0.2CA, constant voltage 2.35-2.40V/Cell charge 24h.

※ Effect of temperature on float charge voltage: -3mV/°C/Cell.

※ Service life will be directly affected by the number of discharge

cycles, depth of discharge, ambient temperature and charging method.